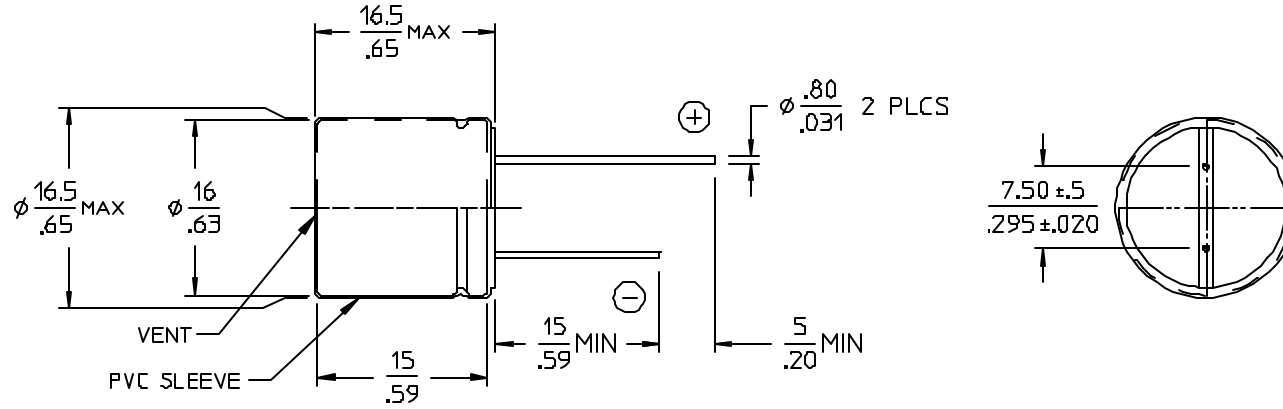


VICOR CONFIDENTIAL

THIS DOCUMENT AND THE DATA DISCLOSED HEREIN OR HERewith IS NOT TO BE REPRODUCED, USED, OR DISCLOSED IN WHOLE OR IN PART TO ANYONE WITHOUT PERMISSION OF VICOR CORP.

REV	DESCRIPTION	DATE	APPROVED
01	RELEASED- E020061	RCM 3/6/02	GCK



ELECTRICAL CHARACTERISTICS @ $T_a = 20^\circ\text{C}$, 120Hz (UNLESS OTHERWISE SPECIFIED)

PARAMETER	SYMBOL	MIN	MAX	UNITS	TEST CONDITIONS
CAPACITANCE	C	96	144	μF	0.5Vrms
WORKING VOLTAGE	V_{DCW}	100		V	
SURGE VOLTAGE	V_{SURGE}	125		V	
LEAKAGE CURRENT	I_{DCL}		360	μA	1 MINUTE
DISSIPATION FACTOR	$\tan \delta$		0.07		
IMPEDANCE	Z		$\frac{0.14}{0.38}$	Ω	$\frac{100\text{KHZ}, 20^\circ\text{C}}{100\text{KHZ}, -10^\circ\text{C}}$
RIPPLE CURRENT	I_{RIPPLE}		960	mA	$T_a = 105^\circ\text{C}$, 100KHZ
OPERATING TEMPERATURE RANGE	T_{OP}	-55	+105	$^\circ\text{C}$	

- NOTES:
 1. MATERIAL: ALUMINUM ELECTROLYTIC.
 2. SOLVENT PROOF END SEAL.
 3. DIMENSIONS ARE METRIC.
 INCH

MAXIMUM PERMISSIBLE RIPPLE CURRENT

FREQUENCY MULTIPLIER

FREQUENCY IN Hz					
50	120	300	1K	10K	100K
0.60	0.70	0.80	0.90	0.95	1.00

TEMPERATURE MULTIPLIER

TEMPERATURE	85 $^\circ\text{C}$	105 $^\circ\text{C}$
MULTIPLIER	1.75	1

DRAWN BY GCK	DATE 01/14/02	<p>CAPACITOR, ALEL, RADIAL, 120μF, $\pm 20\%$, 100V</p>			
UNLESS OTHERWISE SPECIFIED DIMENSIONS ARE IN INCHES- TOLERANCES ARE FRACTIONS DECIMALS ANGLES +1/64 .XX- +.01 .1 $^\circ$ XXX-.005					
THIRD ANGLE PROJECTION 	SIZE B	FSCM NO. 67131	DWG NO 13450	REV 01	
DD NOT SCALE DRAWING	SCALE 2X	SHEET 1 OF 1			